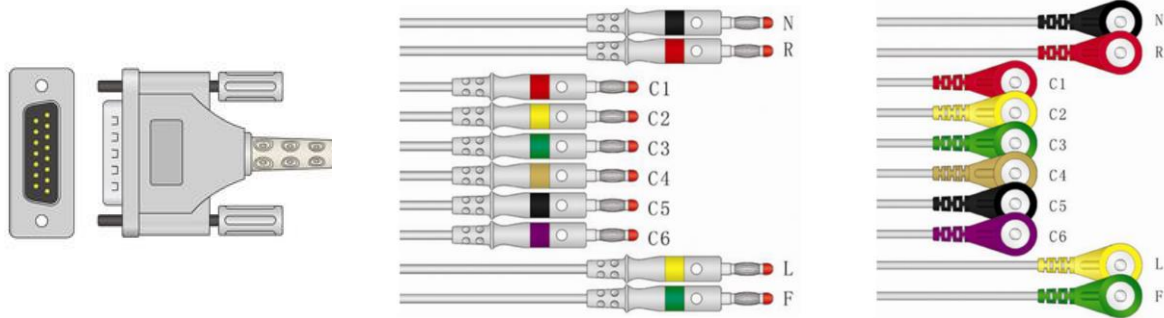


EE100DRI-200 PATIENT CABLE FOR RESTING ECG
EE100DRSI-200 PATIENT CABLE FOR STRESS-TESTING
EE100DRSI-350 "XL" PATIENT CABLE FOR STRESS-TESTING



NB the product might differ from the pictures here shown. The manufacturer can modify the product without prior notice.

Description

One-piece 10 leads cable for Resting ECG and Stress-Testing. The cables from EE100DRxI-xx0 series are totally compatible with the original ones. The connector device side is made in plastic and it is conformal to the original. The leadwires have 4mm Banana or Snap terminations.

All the registered and trade marks are propriety of the respective owners.

Technical data

Length:	<ul style="list-style-type: none"> ✓ Connector to yoke: <ul style="list-style-type: none"> ✓ EE100DRI-200, EE100DRSI-200: 200 cm ✓ EE100DRSI-350: 350 mm ✓ Leadwires: chest 75 cm, limbs 100 cm
Terminals:	<ul style="list-style-type: none"> ✓ EE100DRI-200: 10x 4mm Banana ✓ EE100DRSI-200, EE100DRSI-350: 10x Snap
Yoke:	sealed, compact
Connector:	Cannon DB15, with screws
Color code:	IEC
Resistors:	10 kΩ with rprotection against defibrillator discharge
Compatibility:	<p>ASTRON 3/12b, 3/12i; Comp1x12, Comp3x12, Comp6x12, Comp3, Comp12, Comp60. CARDIETTE / ELETTRONICA TRENTINA all versions of AR600,1200, 2100; Start 100P, Start 100H, Start 200, 200HV. DOC 101, 103; Autoruler 12/1, 12/3; Excel 103, 106, 106SCP; Excel 112, 212; Daedalus 346; Serie Daedalus View. CARDIOLINE all versions of AR600,1200, 2100; Delta 300, 360, E1, E1R, E3. ECG100S, 100+, 200S, 200+. CAMINA CARDIORAPID K11, K111, K112pocket, K130B, K130D, K131, K30P, K300P, K31, K312P, K33M, K36M, K360B, K360D, K3600LCD, K600P, K600M, K612. CAMINA CARDIOSWIFT K112LCD, K36LCD & all models with D-sub 15 connector. COLSON DUPONT Cardi-3, E1, E3. Cardiopratique. All models from these series: AR, Cardipocket, Cardio, Excel, Autoruler, Microruler; Daedalus 346. ERGOLINE Autoruler: Autoscript 1/12, 3/12, 6/12 . Ergoscript EK301Z, EK1012, EK3003, EK3006, EK3012. FARUM all models with D-sub15 connector. MEGOS 3/12b, 3/12i; Comp1x12, Comp3x12, Comp6x12, Comp3, Comp12, Comp60. QMED Interp 1000. ST ELECTROMEDICINA 531, 531i, 563, 563i. ar600adv, ar600view, ar1200adv, ar1200view ...</p>

