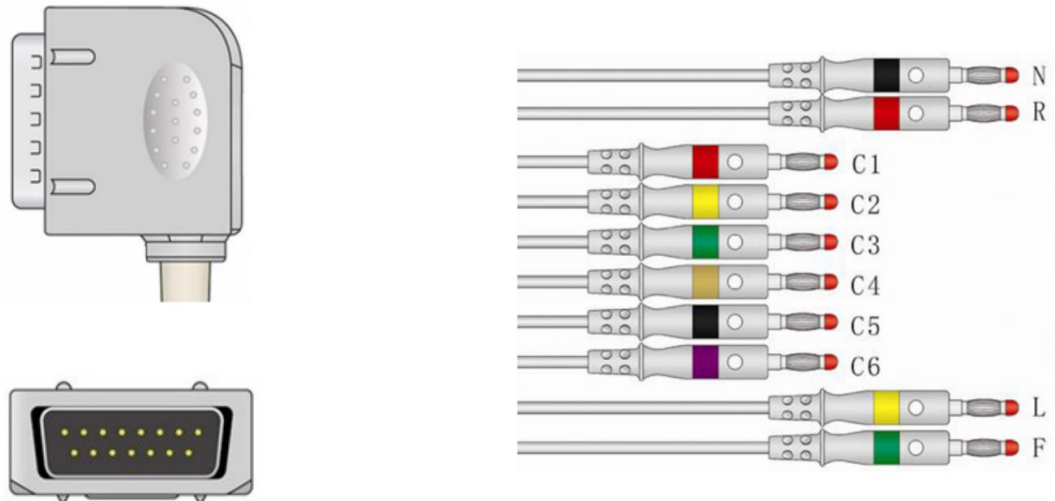


EE100KRI-200 PATIENT CABLE FOR REST-ECG



NB il prodotto potrebbe differire da quanto illustrato. Il produttore si riserva il diritto di modificare il prodotto senza darne preavviso.

Description

One-piece patient cable for Rest-ECG (12-leads diagnostic ECG). It is completely compatible with the original ones.

The plastic connector towards the device is conformal to the original. The terminations have 4mm Banana plugs.

Made for devices from the following Brands: Suzuken Kenz.

The Compatibility List could be extended to further devices, according to the specific features.

Every trademark is propriety of the respective owner.

Technical Features

Length:	✓ Main cable: 200 cm ✓ Leadwires: chest 70 cm, limbs 110 cm
Terminations:	10 pcs. 4mm Banana with isolated tips
Yoke:	compact, sealed
Connector:	D-sub 15 pin, made from plastic
Colour code:	IEC
Resistors:	10 k Ω
Protection against defibrillation:	present
Compatibility:	COSMED Cardico 306, 601H, 1201, 1211. KENZ ECG 108, 109, 110; Cardico 301, 302, 303, 305, 306, 601, 1201, 1207, 1207 STRESS, 1210, 1211, 1215 ...

