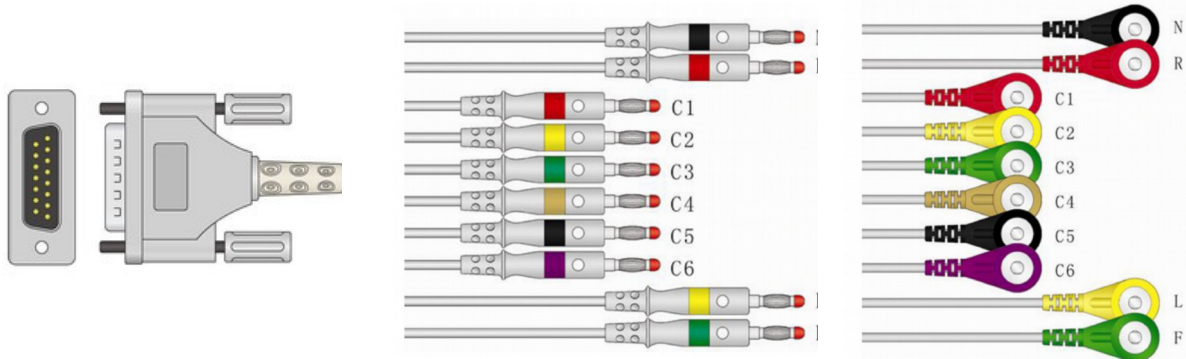


EE100MRI2-200 PATIENT CABLE FOR RESTING ECG
EE100MRSI2-200 PATIENT CABLE FOR STRESS-TESTING
EE100MRSI2-350 PATIENT CABLE FOR STRESS-TESTING



NB the product is subject to changes without prior notice.

Description

One-piece patient cable for Rest-ECG and Stress-Test. It is completely compatible with the original ones. The plastic connector towards the device is conformal to the original. The terminations have 4mm Banana plugs or Snaps. Made for Mortara devices. The Compatibility List extends to further devices, according to the specific features.

Every trademark is propriety of the respective owner.

Technical Features

Length:	<ul style="list-style-type: none"> ✓ Trunk: <ul style="list-style-type: none"> ✓ EE100MRI2-200, EE100MRSI2-200: 200 cm ✓ EE100MRSI2-350: 350 mm ✓ Leadwires: chest 75 cm, limbs 100 cm
Terminations:	<ul style="list-style-type: none"> ✓ EE100MRI2-200: 4 mm Banana ✓ EE100MRSI2-200, EE100MRSI2-350: Snap
Yoke:	sealed, compact
Connector:	Cannon standard 15 pin, made in plastic with clips.
Colour code:	IEC
Resistors:	10 kΩ
Protection against defibrillation:	present
Compatibility:	MORTARA Eli 100, 200, 2000, Landscape, Portrait. Surveyor, X-scribe

