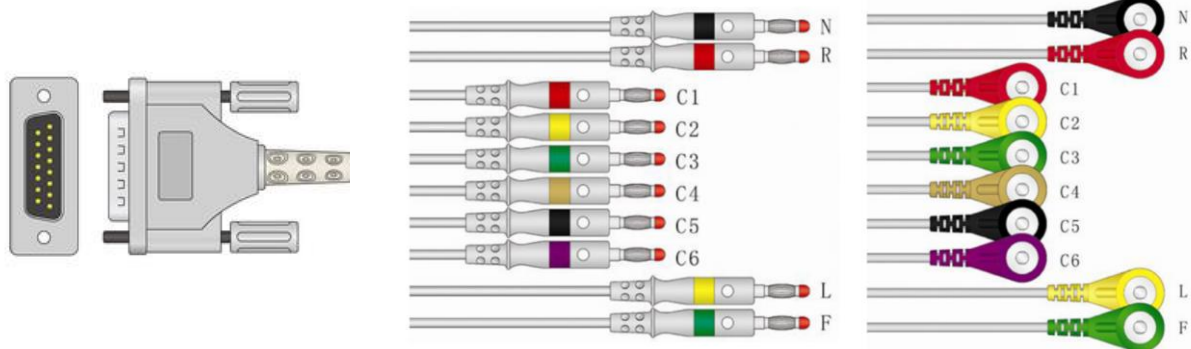


EE100URI-200 PATIENT CABLE FOR RESTING ECG
EE100URSI-200 PATIENT CABLE FOR STRESS-TESTING
EE100URSI-350 "XL" PATIENT CABLE FOR STRESS-TESTING



NB the product is subject to changes without prior notice.

Description

One-piece patient cable with 12 leadwires, for Resting and Stress-ECG. Cables from EE100URxl-xx0 series are 100% compatible.
The connector towards device is made from plastic and it is conformal to the original. The terminations are coded with IEC colors scheme and have these connectors: 4mm Banana (EE100URI-200) or Snap (EE100URSI-xx0).
The Compatibility List could be extended to further devices, according to the specific features

Every trademark is propriety of the respective owner.

Technical data

Length:	<ul style="list-style-type: none"> ✓ Main cable: <ul style="list-style-type: none"> ✓ EE100URI-200, EE100URSI-200: 200 cm ✓ EE100URSI-350: 350 mm ✓ Leadwires: chest 75 cm, limbs 100 cm
Terminations:	<ul style="list-style-type: none"> ✓ EE100URI-200: 10 leads 4mm Banana ✓ EE100URSI-200, EE100URSI-350: 10 leads Sanp
Yoke:	molded, compact style
Connector:	Cannon style, standard 15 pin, in plastic and with screws
Colour code:	IEC
Defi protection:	present, with 10 kΩ resistors
Compatibility:	<p>AMBISEA AV-9100, 9300, 9600, 9120. AMEDTEC ECGpro, CardioPart 12 Blue, CardioPart 12 USB. AVIONICS DEL MAR 910, 920, 930, 940, 942, 950, 960, 970, 980. ASPEL with Dsub15 connector/connettore Dsub15. ATES EBNEURO Easy ECG Pocket & Mobile. BIONET cardiocare 2000, cardiotech 3000, cardio 7. BTL Serie BTL-08; CardioPoint-ECG C300, C600. CardioPoint-ERGO C300, C600. BOSCH 501A, 501NV, 503, 5038, 503D, 503NV, 503V, 506, 603D, 603ER, 606. BURDICK QUINTON Eclipse 800, Eclipse LE/LEi (> SN 1051), CareCenter MD. CAMEDIO 12B, 12H, 12S. CARDIOMAQ 100H, 300H, 600H, 1200H. CARDIONICS CarTouch, Cardio Plug. CARDIOTEK serie EP-Tracer. CAREFUSION JAEGER Masterscreen ECG. COLIN YM406i. CORSCIENCE BT12 wireless. CUSTO.MED norm, cardio130. DAHIAN Araz 630. DR. SCHMIDT SmartScript. DR. LEE 310A, 310B. DR. VETTER pc-ekg. FIDELITY LP3000. FUKUDA ME Alpha 1000, 6600A, 6600AX. GEM-MED Serie Heart One +. GIMA Cardiopocket, Smart SE-1, -3, -6, -12 Express. Gimaplay 1. Cardiogima 1M, 3M, 6M, 12, 12M, Colour ECG. PC-ECG 33320, 33321; Acquisition box series</p>

MGY. HELDIGEK EK53. HEWLETT PACKARD PageWriter 100, 200, 300 (M1770A, M1771A, M1772A).
HORMANN VON BERG BioSet 9000. INNOMED Serie Heart Mirror & Heart Screen. Cardio PC/E.
KENZ 108 & 110. LABTECH EC-12RT. M4MEDICAL M-trace, M-trace Mini, M-trace pc-ecg.
MAQUAIRE CT-100, -200, -200i, -200CV. MEDEA MedeaLine 3, MedeaLine 6p, Kardio PCM-u,
Excercise Test, Cardio Test. MEDIANA YM303i, 406i, 412i, 812i. MEDICAL ECONET Cardio-M,
Cardio-M plus, Cardio-M PC, (instead of Quickels suction system / al posto del sistema a suzione).
MEDIGATE ECG-1211-DG; MeCA303i, 406i, 412i, 812i. MEDISPO EM9530, 9535, 9540, 8033,
9550, 9560. MEDSET Serie Flashlight D-sub15 connector. MESA Cardiax pc-ecg. MS-WESTFALIA
LunoCard S & HR and all models with D-sub15 connector. NEUROSOFT Serie Poly-Spectrum: -
12/E, -8/EX, -8/E, -8,-Velo. PHILIPS HP PageWriter 10, 10i, Pagewriter 1513, 154B/C, 1514D,
1515A/B, 1517A. PHILIPS TC20 (no other TC models), C3i, Efcia ECG100. PROGETTI all models
with D-sub15 connector & MyECG, PG ECG. SCHWARZER Cardos 12, Light, CU12. SEIVA ECG
Praktik, Pratik Portable, Cardiowriter, CardioTouch; Ergolog. REYNOLDS SPACELABS CardioDirect
CD12 USB, CD12-S USB; Cardiotrack 12, Cardiocollect. SPACELABS Voyager V6, V12. THOR
ThoriAx. TEPA EKG Master. TRISMED Cardipia all models, stress-test models 406RS, 812RS. UTAS
Ucard 100, Ucard 200. WELCH ALLYN CP50, 150, 300. Serie AT. Serie SP. Serie CT, Cardio Perfect
...

